

# Seedster FH-2L

Commercial Grass Seed Harvest

## Groundbreaking “Seed Plucking” Technology:

A Harvesting System on a Loader

Greater Recovery of Standing Seed

More Acres per Hour

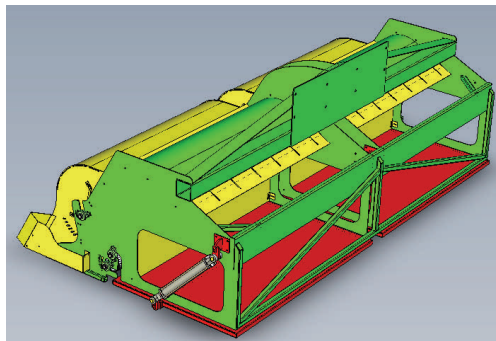
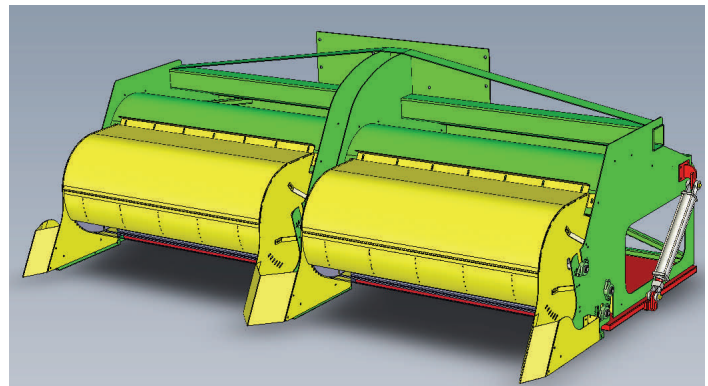
Minimal Chaff/Impurities

Low Operating Costs

Quick Return On Investment

### *Engineering for Simple Perfection*

- ◆ Seed recovery, conveyance and collection all in the front header
- ◆ Fast offload with bottom drop door
- ◆ Quick cleanout, 10 Minutes
- ◆ In-cab adjustments fine tune for changing conditions
- ◆ Hydraulic power by tractor PTO to PowerPack



- ◆ Seed Hopper Volume 40.2bu
- ◆ 13' 2" Total width
- ◆ Up to 11' 7" of treatment
- ◆ Requires at least 80 hp tractor with 1000 rpm PTO
- ◆ Requires tractor loader

***Seedsters Are Intensively Researched And Rigorously Tested To Harvest Many Difficult To Harvest Species***

***Miscanthus, Switchgrass, Indiangrass, Big Bluestem, Green Needlegrass, Purple Needlegrass, Needleandthread, Little Bluestem, Bluebunch Wheatgrass, Canada Wild Rye, Russian Wild Rye, Sagebrush, and more...***

**Call 406-294-2995**

**Or visit**

**[www.nativeseedsters.com](http://www.nativeseedsters.com)**

**To learn more**